

EL-LED1-M LED BULKHEAD

**LOW MAINTENANCE EMERGENCY
BULKHEAD IDEAL FOR BOTH EXTERIOR
AND INTERIOR AREAS**



TECHNICAL SPECIFICATIONS

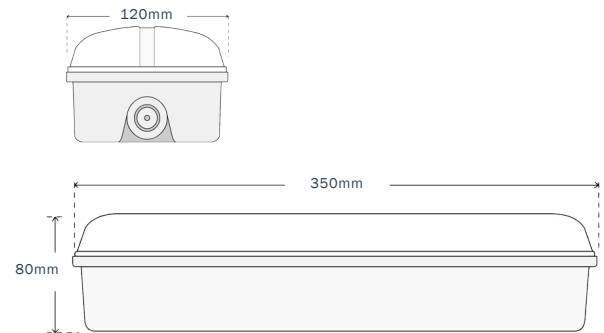
MODEL NO:	EL-LED1-M
Mode of Operation:	Maintained
Lamp:	LED Module
Rated Duration:	2 Hours (3 Hours on request)
Mains Supply:	220-240 Volts, 50-60Hz
Power Consumption:	10W
Battery:	High Temperature Nickel Cadmium
Charger:	Regulated variable rate, Short circuit protected
Charge Monitor:	LED
Degree of Protection (Against Dust and Moisture)	IP54 (IP65 with test switch mounted internally)
Test Facility:	Momentary Test Switch
Safety Features:	Low battery voltage cut off to prevent over discharge
Fitting Construction:	Injection moulded with fire retardant (UL94), high impact material
Weight:	Approx. 1.0 Kg
Dimensions:	350mm (W) x 120mm (H) x 80mm (D)

Ordering Guide:

Ordering Code

EL-LED1/M

- Fire Retardant (UL94) housing and UV stabilized Opal Diffuser
- Low Heat generation, ensures long and reliable service life.
- Low battery voltage cut-off with latch function, to eliminate battery over discharge.
- Charge LED indicator and test switch available
- Weatherproof design suitable for indoor and outdoor applications
- Optimal for anti-panic (open area) and escape route lighting applications.
- High Quality, Long Life LED module.



CLASS II IP65