

# EX-LED-M SLIMLINE LED

SLIM FRAMELESS EXIT SIGN WITH  
NUMEROUS INSTALLATION OPTIONS



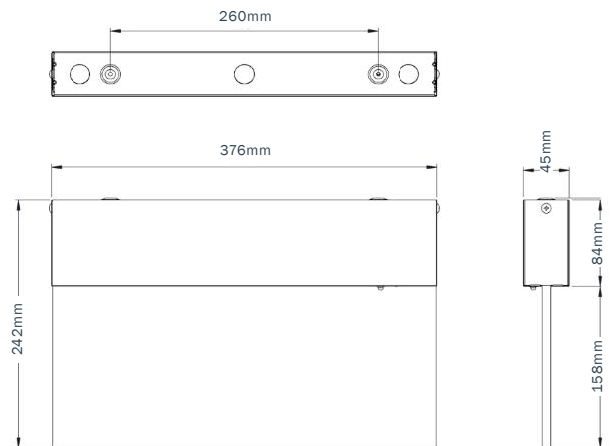
### Ordering Guide:

Legend	Single Sided	Double Sided
	EX-LED-M-S-RM	EX-LED-M-D-RM
	EX-LED-M-SR-RM	EX-LED-M-DR-RM
	EX-LED-M-SL-RM	EX-LED-M-DL-RM
	EX-LED-M-S	EX-LED-M-D
	EX-LED-M-SR	EX-LED-M-DR
	EX-LED-M-SL	EX-LED-M-DL

- Ultra bright white LEDs meeting ISO safety colour requirements.
- Exceeds SS IEC 60598-2-22 and SS 563 brightness requirements
- Extra low power consumption
- High Quality , Long Life SMD LED module
- Series connection of LEDs provides equal biasing of all LEDs ensures maximum LED life span and uniform light distribution
- Low battery voltage cut-off with latch function, to eliminate battery over discharge.
- Add-on plate for recess mounting.

### TECHNICAL SPECIFICATIONS

<b>MODEL NO:</b>	EX-LED-M
<b>Mode of Operation:</b>	Maintained
<b>Lamp:</b>	1.2W White LED module with burning life-span > 50,000 hours
<b>Rated Duration:</b>	3 Hours
<b>Mains Supply:</b>	220-240 Volts, 50-60Hz
<b>Power Consumption:</b>	3W (Total standby power inclusive of LED converter)
<b>Battery:</b>	High Temperature Nickel Cadmium
<b>Charger:</b>	Regulated variable rate
<b>Charge Monitor:</b>	LED
<b>Test Facility:</b>	Micro switch
<b>Mounting:</b>	Surface mount (Recessed mount option available)
<b>Safety Features:</b>	Low battery voltage cut off to prevent over discharge
<b>Diffuser:</b>	Acrylic plate (fire retardant)
<b>Fitting Construction:</b>	Electro galvanized steel. Epoxy powder coating for casing and gear tray
<b>Weight:</b>	Approx. 1.2 Kg
<b>Dimensions:</b>	242mm (H) x 376mm (W) x 45mm (D)
<b>Standards / Compliance:</b>	SS IEC 60598-2-22, SS 563



CLASS I



Type and batch tested with PSB PLS-LISTED LABEL

\*\*\*Note: Technical Specification subject to change without prior notice