

EX-LED-M-RS QUICK FIT RECESS LED

COLLABORATING SAFETY WITH STYLE IN AN EMERGENCY BY THE QUICK FIT DESIGN



Extra Safety Feature! Safety Hook for wire to hook up to the concrete ceiling.



Spring steel fixing clips available for flexible and secure installation.

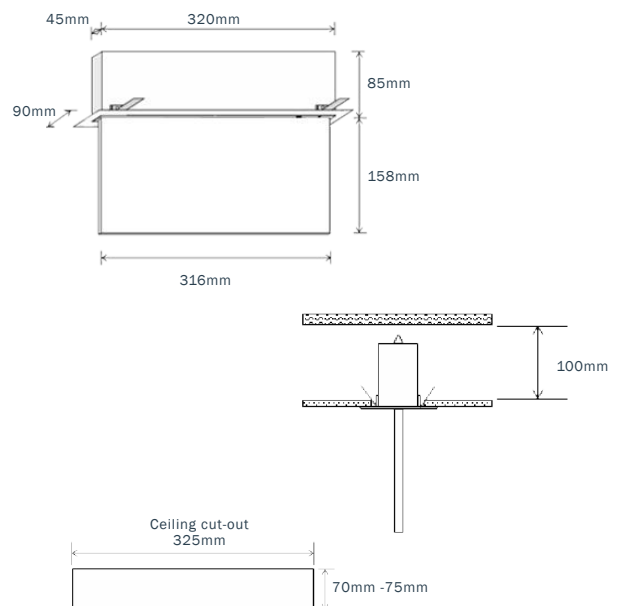
Ordering Guide:

Legend	Single Sided	Double Sided
	EX-LED-M-RS-S-RM	EX-LED-M-RS-D-RM
	EX-LED-M-RS-SR-RM	EX-LED-M-RS-DR-RM
	EX-LED-M-RS-SL-RM	EX-LED-M-RS-DL-RM
	EX-LED-M-RS-S	EX-LED-M-RS-D
	EX-LED-M-RS-SR	EX-LED-M-RS-DR
	EX-LED-M-RS-SL	EX-LED-M-RS-DL

- Designed for fast installation and easy maintenance.
- Ultra bright white LEDs meeting ISO safety colour requirements.
- Exceeds SS IEC 60598-2-22 and SS 563 brightness requirements
- Extra low power consumption
- High Quality , Long Life SMD LED module
- Series connection of LEDs achieve a high level of uniform light distribution and ensuring maximum life span.
- Low battery voltage cut-off with latch function , to eliminate battery over discharge.
- Durable fire retardant construction (UL 94) to combat corrosion
- Lightweight ergonomics design boost productivity of installers.

TECHNICAL SPECIFICATIONS

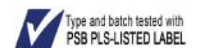
MODEL NO:	EX-LED-M-RS
Mode of Operation:	Maintained
Lamp:	1.2W White LED module with burning life-span > 50,000 hours
Rated Duration:	3 Hours
Mains Supply:	220-240 Volts, 50-60Hz
Power Consumption:	3W (Total standby power inclusive of LED converter)
Battery:	High Temperature Nickel Cadmium
Charger:	Regulated variable rate
Charge Monitor:	LED
Test Facility:	Micro switch
Mounting:	Recessed Ceiling
Safety Features:	Low battery voltage cut off to prevent over discharge
Diffuser:	Acrylic plate (fire retardant)
Fitting Construction:	Injection moulded with fire retardant (UL94), high impact material
Weight:	Approx. 1.2 Kg
Dimensions:	243mm (H) x 320mm (W) x 45mm (D)
Standards / Compliance:	SS IEC 60598-2-22, SS 563



CLASS II



PSB Singapore



***Note: Technical Specification subject to change without prior notice