

ECL4/240 LOW PROFILE RANGE

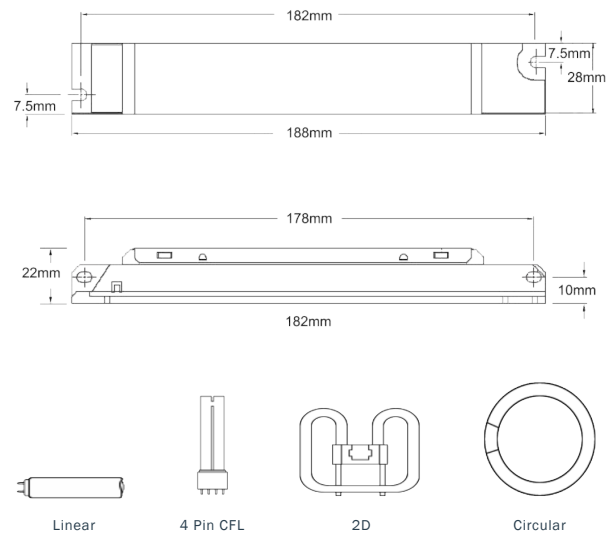


OUR SLIMMEST CONVERSION KIT THAT CAN BE EASILY CONCEALED IN THE FLUORESCENT FITTING.

- Suitable for T5, T8, CFL and 2D fluorescent lamps.
- Extra low standby power consumption.
- Short-circuit protection.
- Five-pole relay configuration.
- Low-profile casing (22mm x 28mm cross-section)
- Ballast control output ensures compatibility with most high frequency ballast.
- Automatically activated in the event of power cuts
- Offer a good luminous flux to facilitate the evacuation.

TECHNICAL SPECIFICATIONS

MODEL NO:	ECL4
Mode of Operation:	Maintained / Non-Maintained
Lamp Type:	T5, T8, 4 Pin CFL and 2D Fluorescent Lamps
Rated Duration:	3 Hours
Mains Supply:	220-240 Volts, 50-60Hz (110-240V on request)
Supply Current:	20mA
Power Consumption:	< 2.0W
Trickle Charge:	125mA / 225mA
Battery Charger:	Regulated Variable Rate
Battery Protection:	Low battery voltage cut off to prevent over discharge
Battery Type:	High Temperature Nickel Cadmium
Charge Monitor:	LED
Test Facility:	Momentary test switch
Casing Construction:	Electro-galvanised steel
Max. Casing Temp, Tc:	70°C
Max. Ambient Temp, Ta:	50°C
Standards / Compliance:	IEC 61347-2-7 (SS 490-2-7), SS 563



Ordering Guide:

Ordering Code	Battery Type	Battery Configuration
ECL4/240/4.8/4.5-A	NiCd 4.8V 4.5AH	Cane
ECL4/240/4.8/4.5-A+A	NiCd 4.8V 4.5AH	Cane + Cane

***Note: Technical Specification subject to change without prior notice