

EX-SB-M

SLIM-QUICK FIT BLADE EXIT

AESTHETIC, FUNCTIONAL AND
COMPACT DESIGN



TECHNICAL SPECIFICATIONS

MODEL NO:	EX-SB-M
Mode of Operation:	Maintained
Lamp:	White LED module with burning life-span > 50,000 hours
Rated Duration:	3 Hours
Mains Supply:	220-240 Volts, 50-60Hz
Power Consumption:	2.5W (Total standby power inclusive of LED converter)
Battery:	High Temperature Nickel Cadmium
Charger:	Regulated variable rate
Charge Monitor:	LED
Test Facility:	Micro switch
Mounting:	Surface wall / Suspended / Surface ceiling / Recessed Ceiling
Safety Features:	Low battery voltage cut off to prevent over discharge
Diffuser:	Acrylic plate (fire retardant)
Fitting Construction:	Injection moulded with fire retardant (UL94), high impact material
Weight:	Approx. 0.6 Kg
Dimensions:	223mm (H) x 314mm (W) x 37mm (D)
Standards /	SS IEC 60598-2-22, SS 563

Ordering Guide:

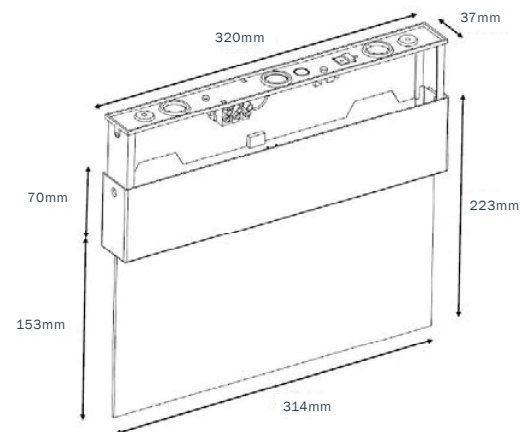
Legend	Single Sided	Double Sided
	EX-SB-M-S-RM	EX-SB-M-D-RM
	EX-SB-M-SR-RM	EX-SB-M-DR-RM
	EX-SB-M-SL-RM	EX-SB-M-DL-RM
	EX-SB-M-S	EX-SB-M-D
	EX-SB-M-SR	EX-SB-M-DR
	EX-SB-M-SL	EX-SB-M-DL
	EX-SB-M-SLR	EX-SB-M-DLR

ACCESSORY: RECESS MOUNTING KIT

Ordering Guide:

EX-SB-RC-ASSY

- Designed for fast installation and easy maintenance.
- Extra low power consumption
- High quality, Long Life SMD LED module
- Numerous installation options available
- Low battery voltage cut-off with latch function, to eliminate battery over discharge
- Durable fire retardant construction (UL 94)
- Lightweight ergonomic design boosting productivity of installers



CLASS II

