

EX-SB-M-UPS

SLIM-QUICK FIT BLADE EXIT

AESTHETIC, FUNCTIONAL AND COMPACT DESIGN



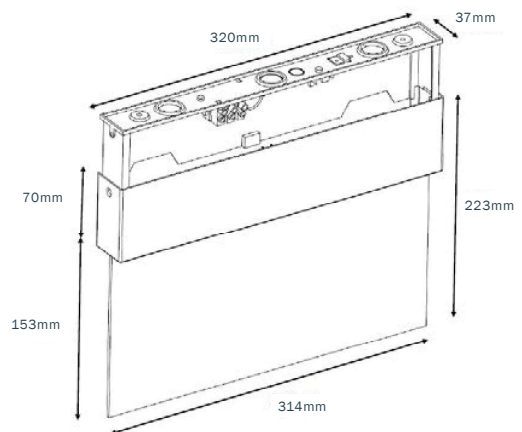
Ordering Guide:

Legend	Single Sided	Double Sided
	EX-SB-M-UPS-S-RM	EX-SB-M-UPS-D-RM
	EX-SB-M-UPS-SR-RM	EX-SB-M-UPS-DR-RM
	EX-SB-M-UPS-SL-RM	EX-SB-M-UPS-DR-RM
	EX-SB-M-UPS-S	EX-SB-M-UPS-D
	EX-SB-M-UPS-SR	EX-SB-M-UPS-DR
	EX-SB-M-UPS-SL	EX-SB-M-UPS-DL

- Designed for fast installation and easy maintenance.
- Extra low power consumption
- High quality, Long Life SMD LED module
- Numerous installation options available
- Durable fire retardant construction (UL 94)
- Lightweight ergonomic design boosting productivity of installers

TECHNICAL SPECIFICATIONS

MODEL NO:	EX-SB-M-UPS
Mode of Operation:	Maintained
Lamp:	White LED Module with life span > 100,000
Emergency Supply (UPS) :	220-240V AC 50/60Hz, 150-300V DC
Current Consumption:	< 0.025
Fitting Construction:	Injection moulded with fire retardant (UL94) high impact PC material
Charge Indicator	Not Applicable
Test Facility	Not Applicable
Fitting Dimensions :	233x314x37mm
Diffuser	Fire retardant acrylic
Weight :	Approx 0.6kg
Relevant Standards :	IEC 60598-2-22, SS563



CLASS II



Type and batch tested with PSB PLS-LISTED LABEL